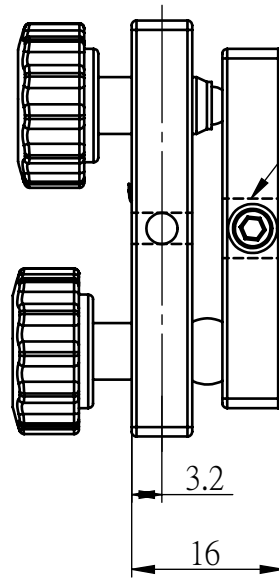
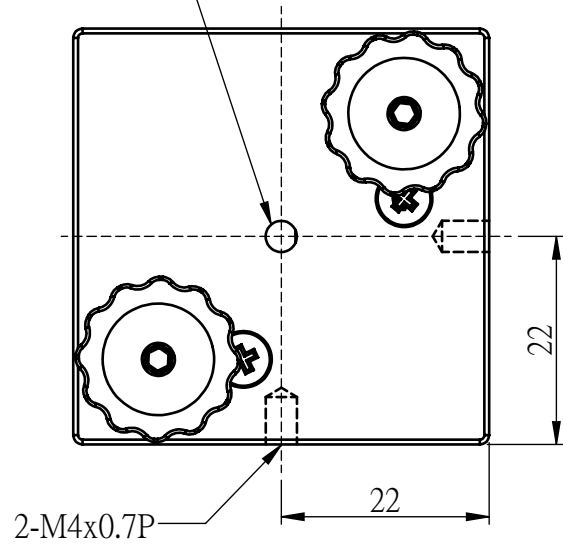
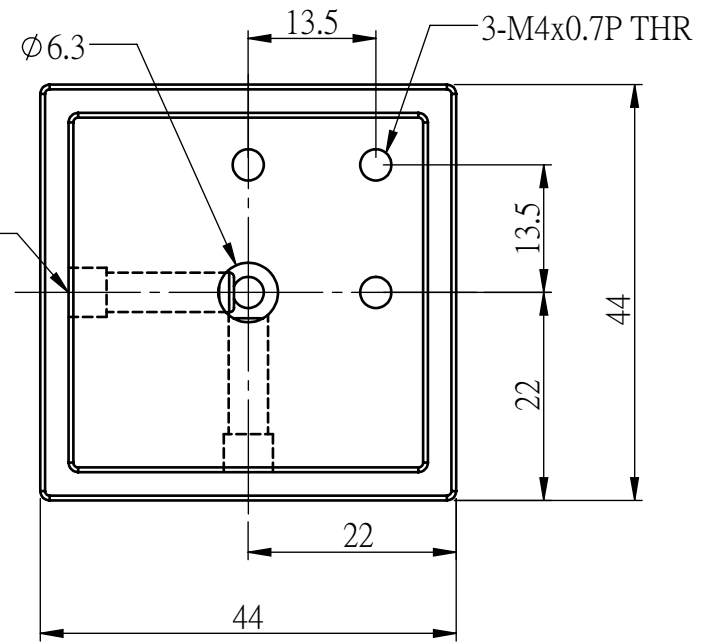


M4x0.7P THR



For T=6.4

2-#8-32W



M-PM-1.5HNX