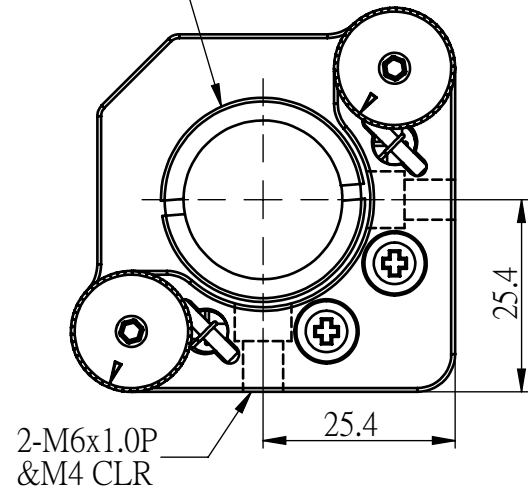
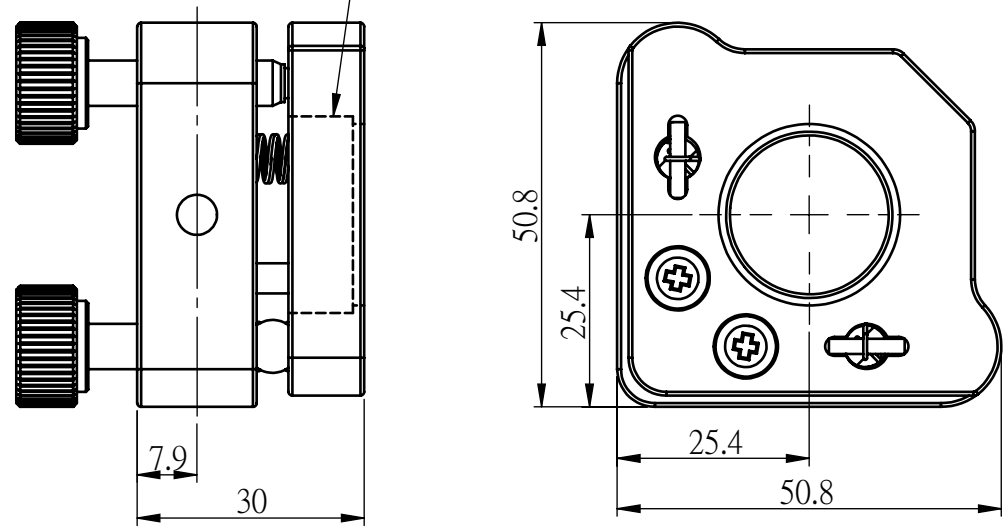


For 1" Optice



For T=5.5



**M-TNR-1R-HOX**