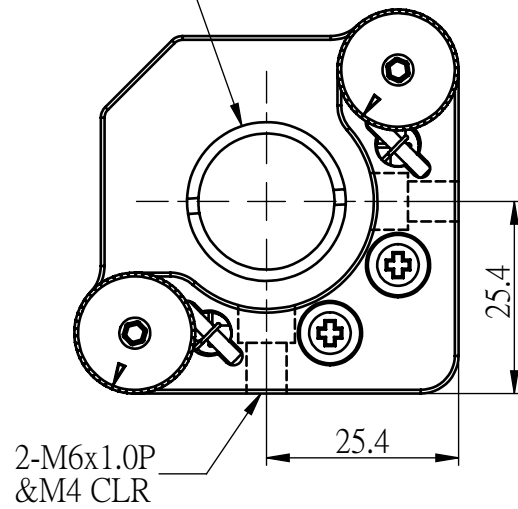
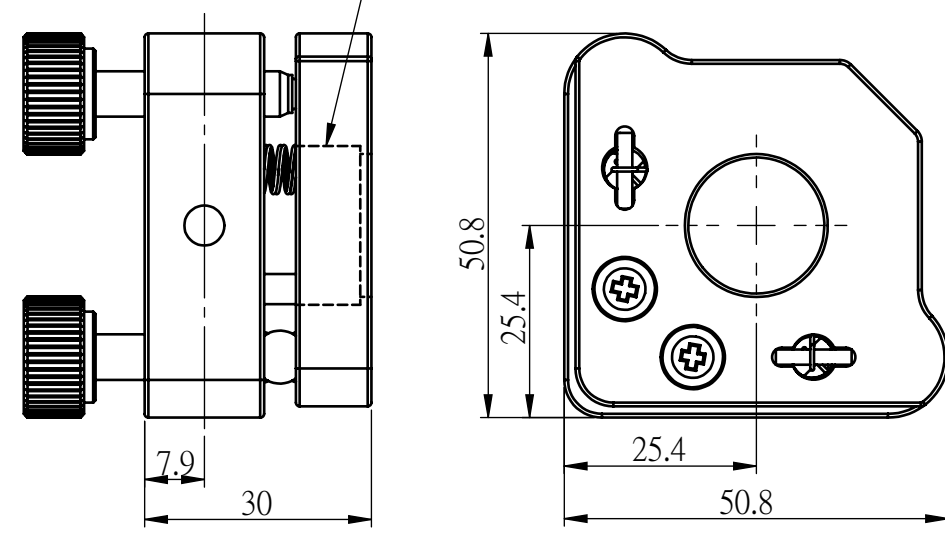


For 0.8" Optics



For T=5.5



M-TNR-08R-HOX