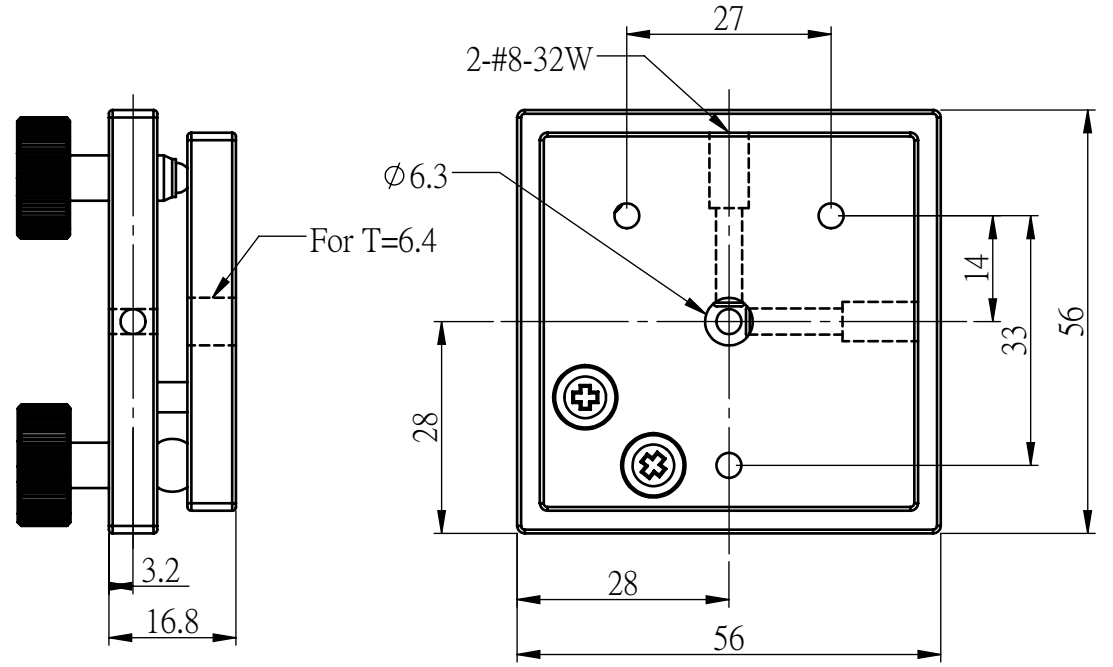
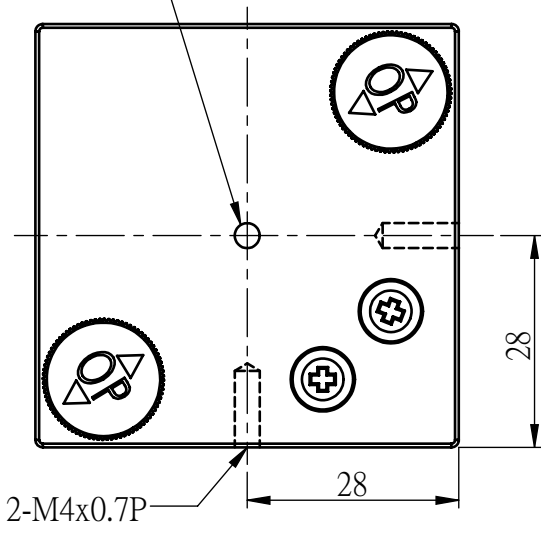


M4x0.7P THR



M-PM-2HNX